


**AUTOPIPE
PIPE
SERIES**



Kite

www.gazcut.com • expert@gazcut.com
TEL: 0086-574-88057971 • FAX: 0086-574-88057127

 **Q-CUT**

Motorized chain pipe cutting machine

AUTOPIPE
kite



AUTOPIPE Kite

Motorized Chain Pipe Cutting machine

The machine is a remote control gas motorized pipe cutting unit and it is easy to change the length of the chain for various size pipes.

Features & benefits

- ◆ Cutting can be done in clockwise or anti-clockwise direction from both sides of the machine
- ◆ The machine can bevel up to 45° by selecting the required angle on the torch holder
- ◆ The machine torch can be adjusted vertically and horizontally alongside the pipe surface by rack and pinion attachments
- ◆ The model Autopipe-P can also be used to cut stainless Steel and other Non-ferrous pipes by using Plasma Cutting Torch (Torch holder to suit your Plasma Cutting Torch can be supplied as an optional attachment)
- ◆ Remote Control Unit (1 set) supplied with the motorized version



AUTOPIPE-P [FOR PLASMA]

The portable plasma pipe cutting machine is designed to use plasma for high speed cutting of carbon steel, stainless steel, aluminum and other metals. The machine allows accurate bevel cutting of pipe and straight cut off of pipe in or out the field. (Torch holder to suit your Plasma Cutting Torch can be supplied as an optional attachment)



AUTOPIPE-S

The optional guide rail provides high cutting accuracy and makes the AUTOPIPE-S type plasma pipe cutting machine particularly suitable for large pipes. Countless professionals from fabricators and scrap yards to boiler makers and tank manufactures have used this kind pipe cutting machines successfully.

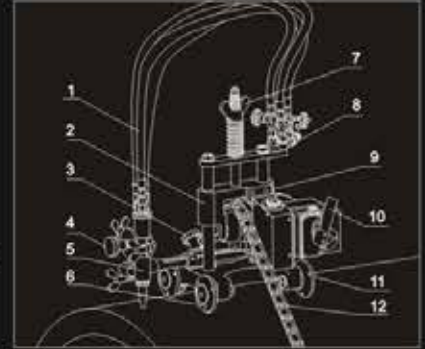
Guide rail (Optional)

The machine can be installed a tip guide system providing high cutting accuracy and makes the machine particularly suitable for large pipes.

The fixed guide rail also makes it possible to cut vertical pipe.

Standard configuration

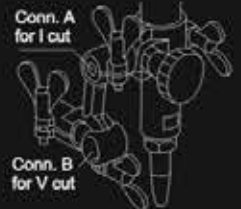
- 1.Hose
- 2.Bracket
- 3.Cross feed handle
- 4.Torch lift handle
- 5.Torch
- 6.Guide wheel
- 7.Big wing bolt
- 8.Distributor
- 9.Gear box connection
- 10.Clutch handle
- 11.Main base
- 12.Chain



Bevel cutting

Beveling application with double-connection

Torch holder unit has 2 torch connections. The upper one (A) is for square cutting. The lower one (B) is for beveling, pls fix the torch for beveling as per the graduated bevel collar with 5° per division



Remote control panel assembly

Adjusting Length of Chain

The length of the chain can be adjusted link by link, making it easy to match the chain to the circumference of the pipe. The number of links required for a given job can be calculated as follows:

$$\text{Number of Links} = \text{Pipe Diameter} \times 1/10 + 13$$

(For millimeter: Pipe Diameter $\times 1 + 13$; Round up to next link)

(For Inch: Pipe Diameter $\times 2.54 + 13$; Round up to next link)

Example of Calculation:

$$\text{Number of links required for cutting } \phi 200\text{mm pipe } (200 \times 1/10) + 13 = 33$$

Additional chain links are available.

Chain type	Single link chain
Quick release clutch	With
Cutting speed	50-1150mm/min
Effective pipe diameter	150-600mm by standard chain Larger size over 600mm by extra chain
Cutting thickness	Up to 50mm
Cutting shape	Square and bevel (up to 45°)
Drive method	Motorized
Main size (mm)	265 × 420 × 450
Weight (kg)	18